

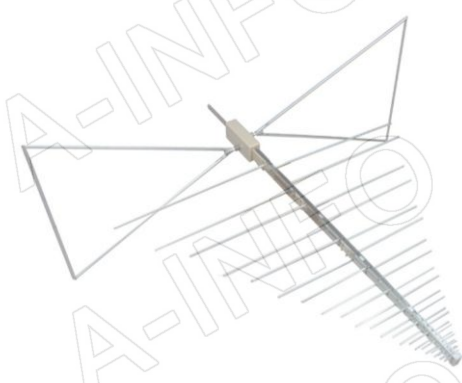
Technical Specification

P/N:DS-4300	
Frequency Range(GHz)	0.04 – 3.0
Gain(dBi)	6 Typ.
Polarization	Linear
3dB Beamwidth(deg)	E Plane: 105 - 33
	H Plane: 360 - 84
VSWR	10.0 Typ.(40-50MHz)
	2.0 Typ.(50-100MHz)
	1.5 Typ./ 2.0 Max.(100-3000MHz)
Output	N-Female
Average Power(W CW)	300 (150 @ 3.0GHz)
Peak Power(KW)	3
Material	Al
Size(mm)	1734 x 758 x 1425
Net Weight(Kg)	3.80 Around

P/N:DS-4300C	
Frequency Range(GHz)	0.04 – 3.0
Gain(dBi)	6 Typ.
Polarization	Linear
3dB Beamwidth(deg)	E Plane: 105 - 33
	H Plane: 360 - 84
VSWR	10.0 Typ.(40-50MHz)
	2.0 Typ.(50-100MHz)
	1.5 Typ./ 2.0 Max.(100-3000MHz)
Output	N-Female
Average Power(W CW)	300 (150 @ 3.0GHz)
Peak Power(KW)	3
Material	Al
Size(mm)	1734 x 758 x 1425
Net Weight(Kg)	3.90 Around

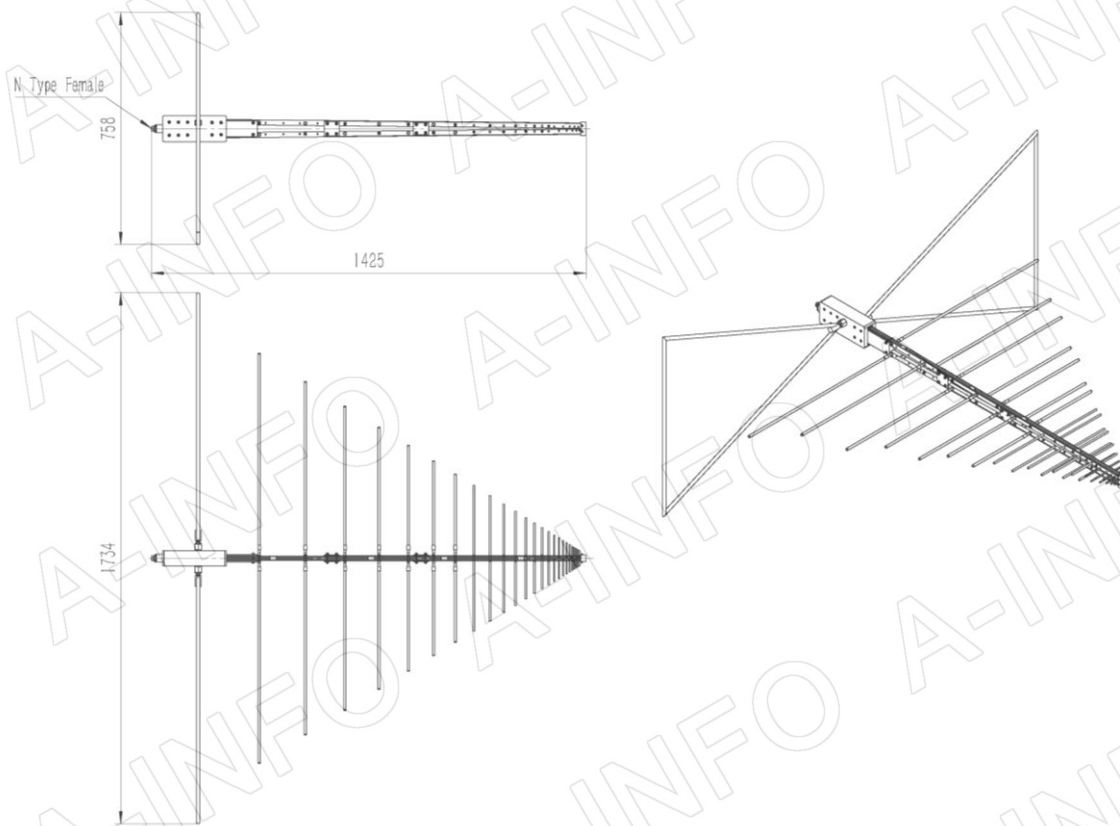
P/N:DS-4300E

Frequency Range(GHz)	0.04 – 3.0
Gain(dBi)	6 Typ.
Polarization	Linear
3dB Beamwidth(deg)	E Plane: 105 - 33
	H Plane: 360 - 84
VSWR	10.0 Typ.(40-50MHz)
	2.0 Typ.(50-100MHz)
	1.5 Typ./ 2.0 Max.(100-3000MHz)
Output	N-Female
Average Power(W CW)	300 (150 @ 3.0GHz)
Peak Power(KW)	3
Material	Al
Size(mm)	1734 x 758 x 1601
Net Weight(Kg)	4.30 Around

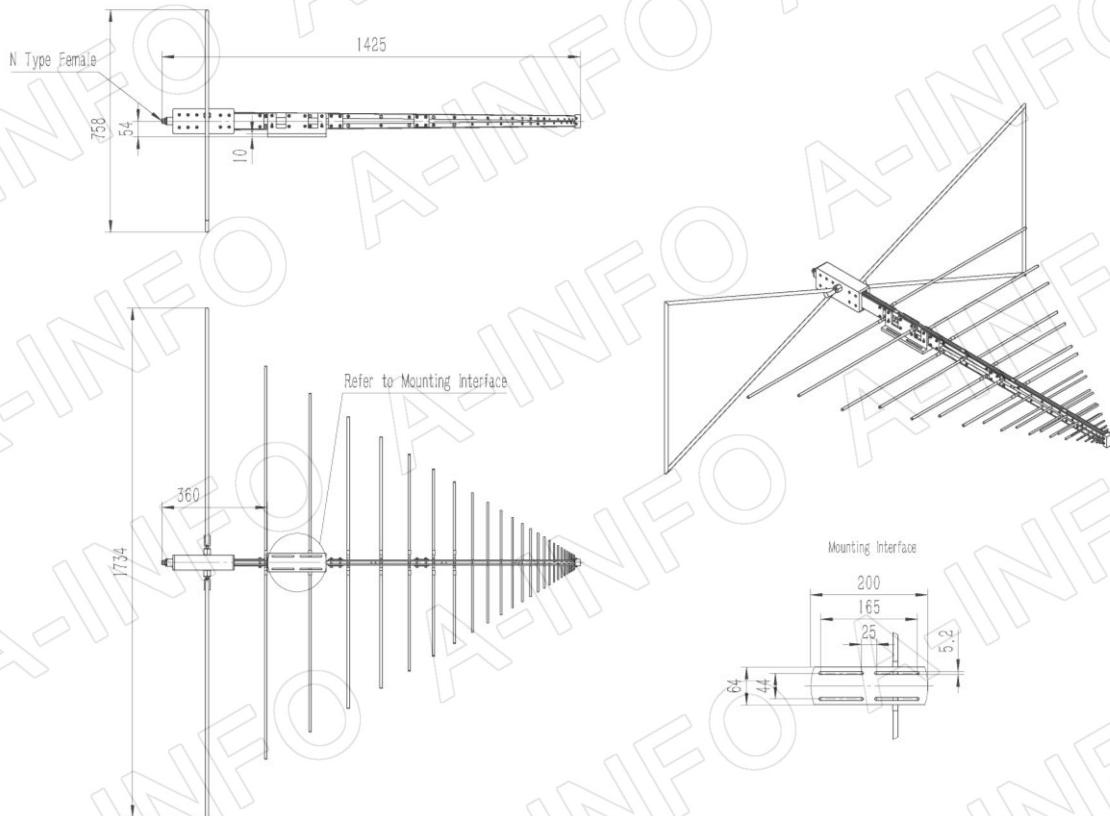


Outline Drawing (Size: mm)

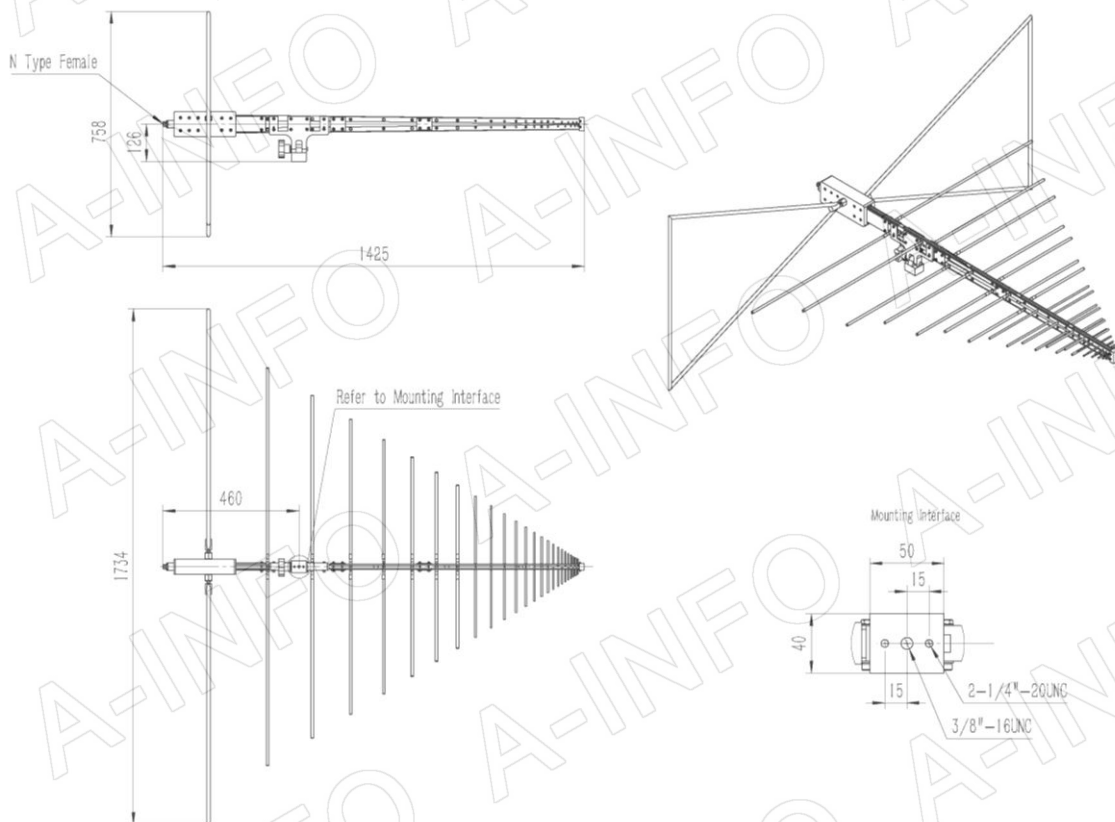
DS-4300 (P/N: DS-4300)



DS-4300 with Mounting Bracket (Option, P/N: DS-3200-MB)



DS-4300 with Mounting Bracket for Tripod Application (Option, P/N: DS-3200-MBA)



AINFO Inc.

Page 3 of 8

China(Beijing):
China(Chengdu):
USA :

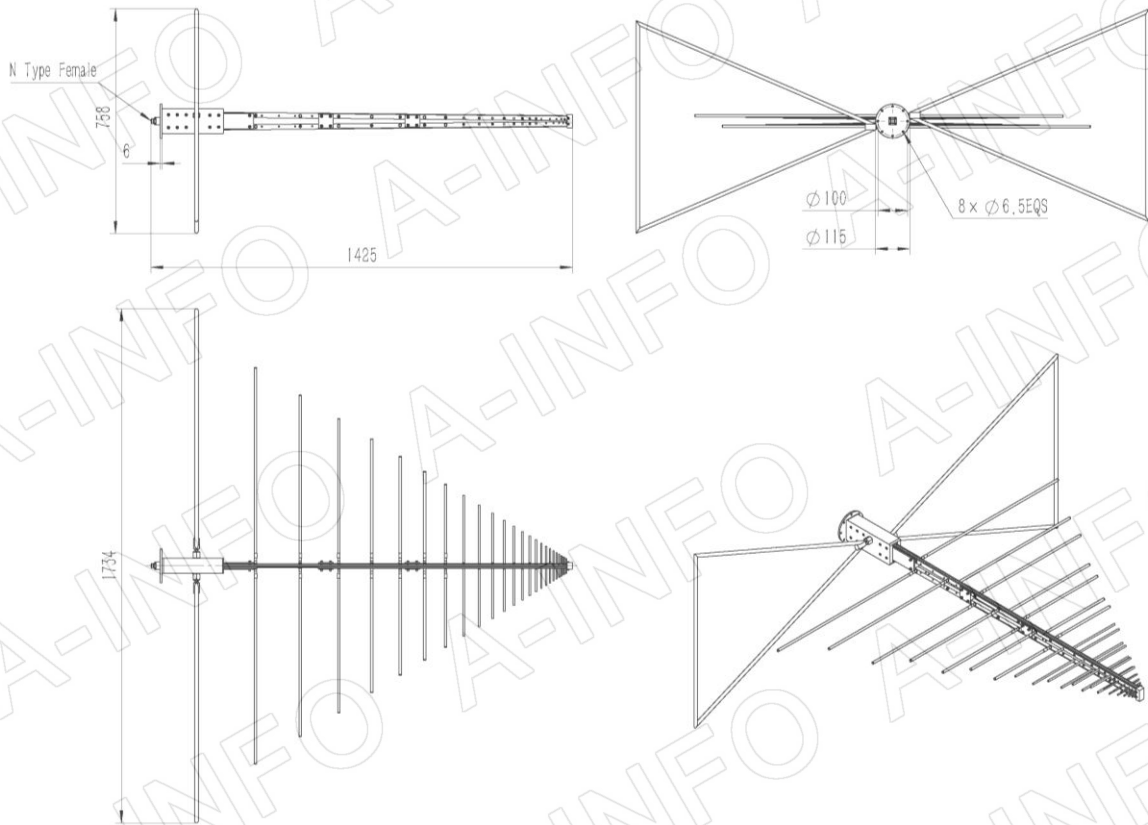
Tel: (+86) 10-6266-7326,
Tel: (+86) 28-8519-2786,
Tel: (+1) 949-639-9688,

(+86) 10-6266-7327
(+86) 28-8519-3044
(+1) 949-639-9608

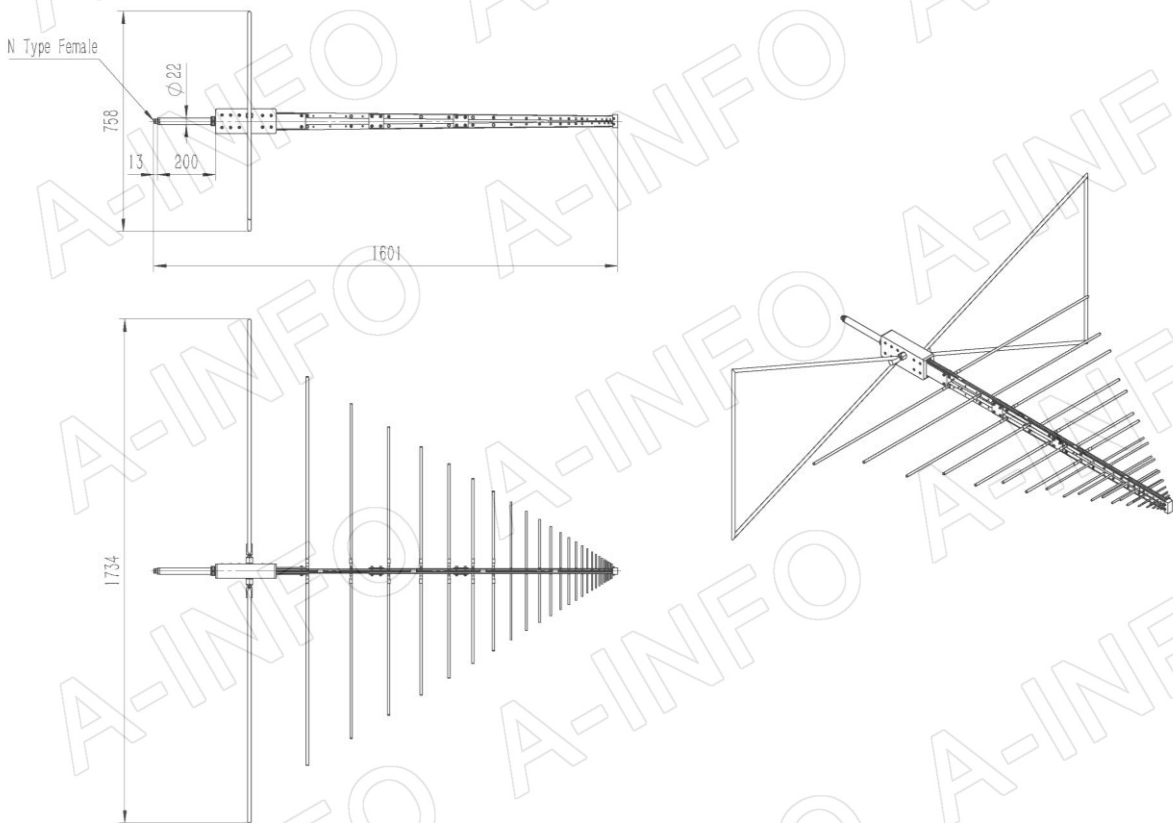
Fax: (+86) 10-6266-7379
Fax: (+86) 28-8519-3068
Fax: (+1) 949-639-9670

Website: www.ainfoinc.com
Email: sales@ainfoinc.com

DS-4300C (P/N: DS-4300C)



DS-4300E (P/N: DS-4300E)



AINFO Inc.

Page 4 of 8

China(Beijing):
China(Chengdu):
USA :

Tel: (+86) 10-6266-7326,
Tel: (+86) 28-8519-2786,
Tel: (+1) 949-639-9688,

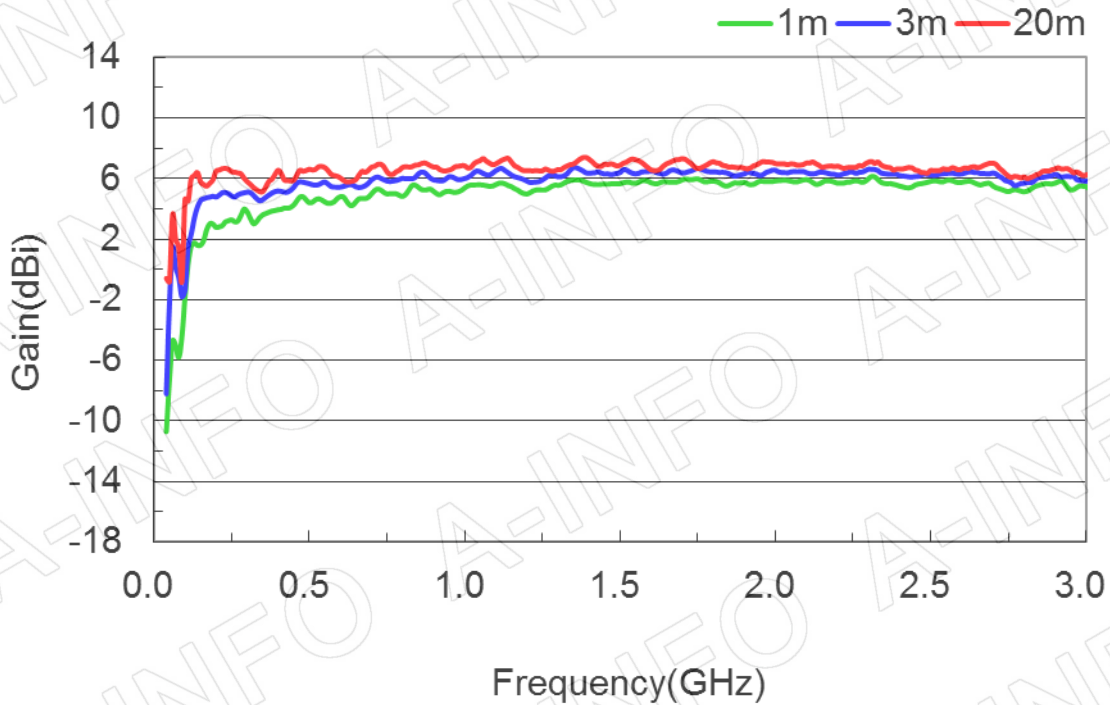
(+86) 10-6266-7327
(+86) 28-8519-3044
(+1) 949-639-9608

Fax: (+86) 10-6266-7379
Fax: (+86) 28-8519-3068
Fax: (+1) 949-639-9670

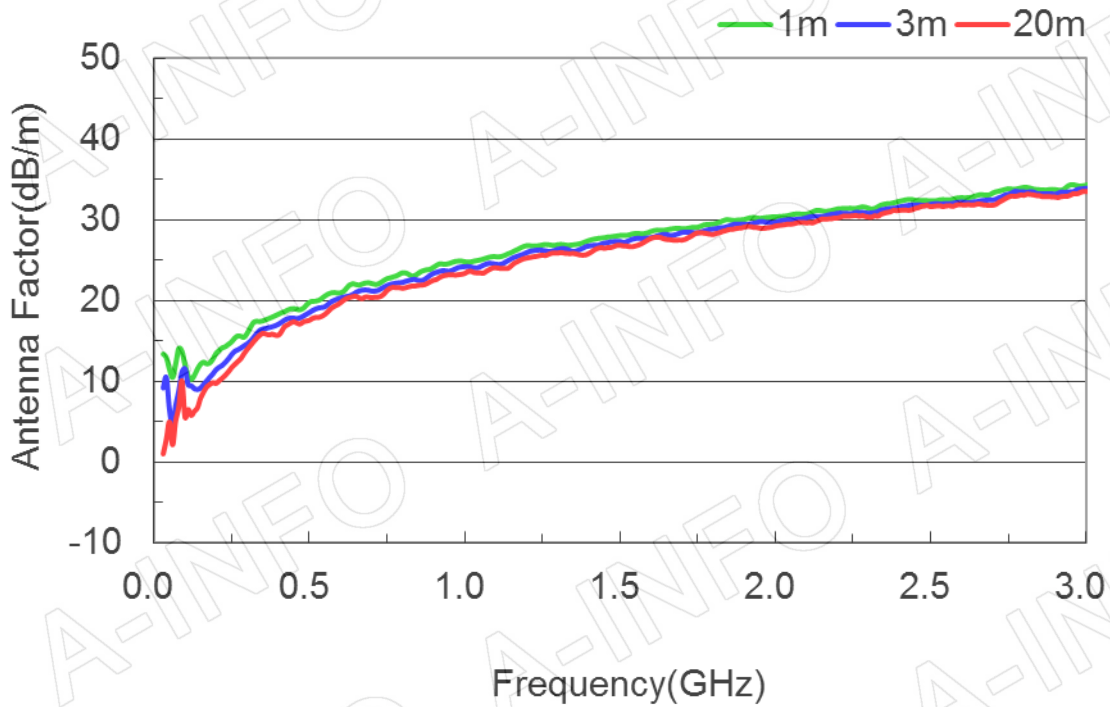
Website: www.ainfoinc.com
Email: sales@ainfoinc.com

Test Results

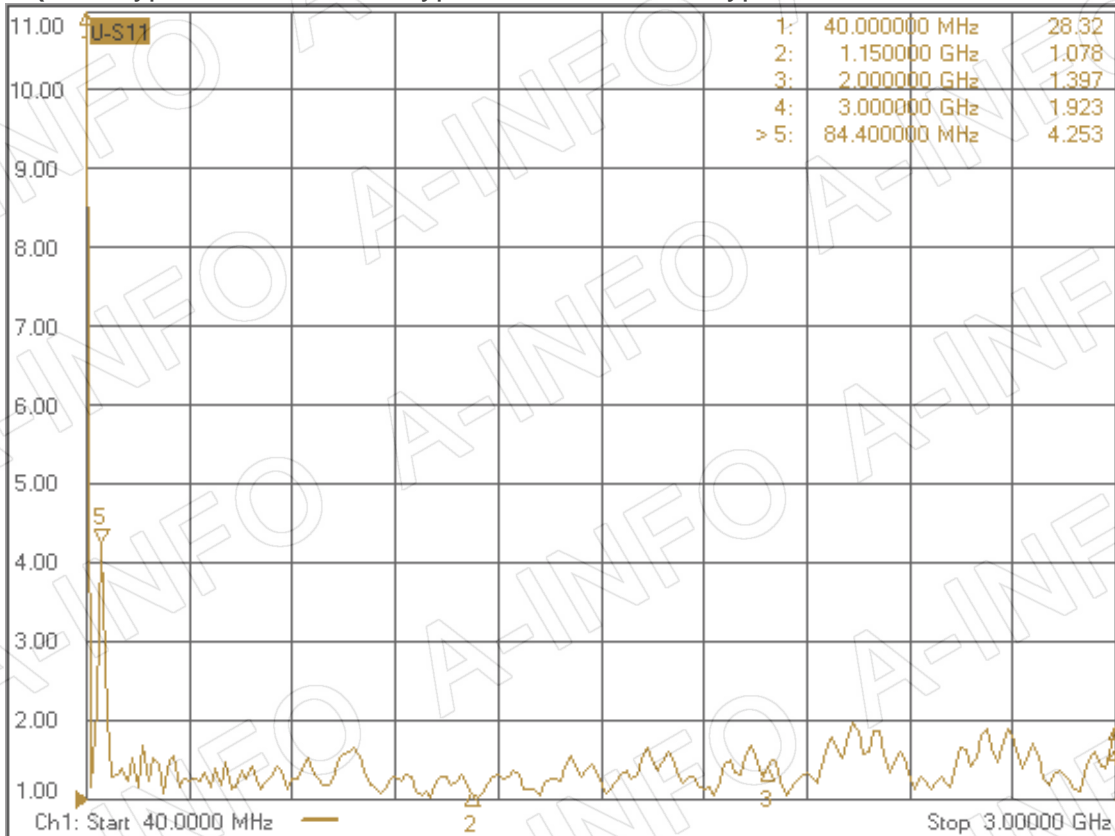
1. Gain



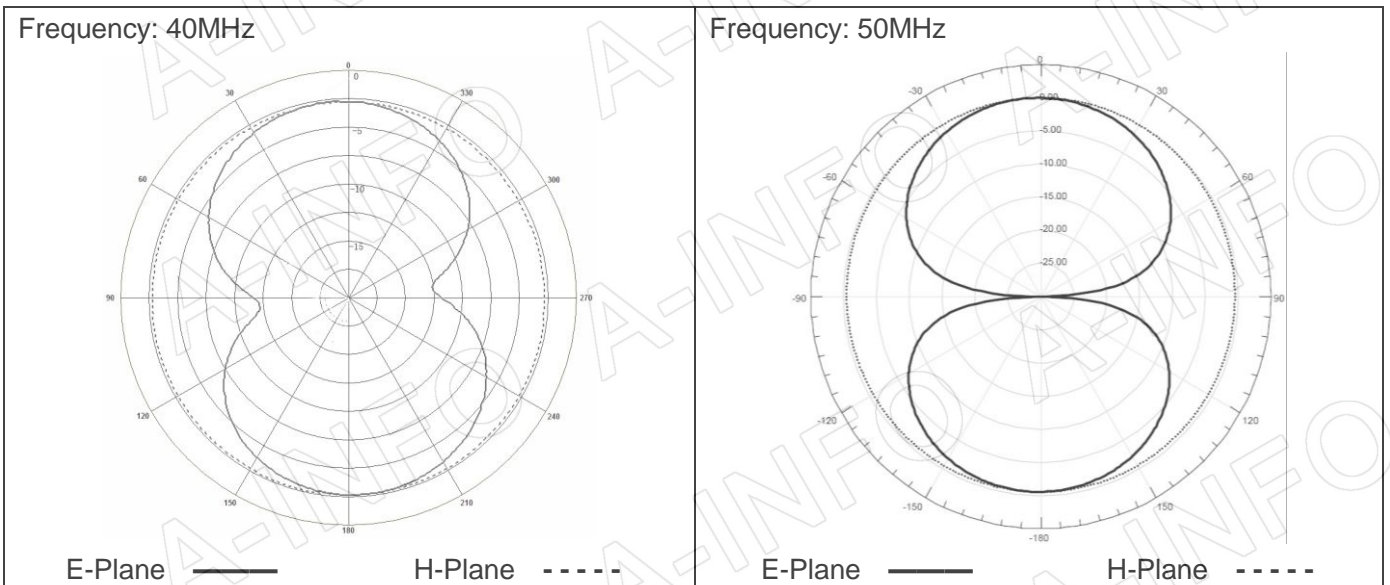
2. Antenna Factor

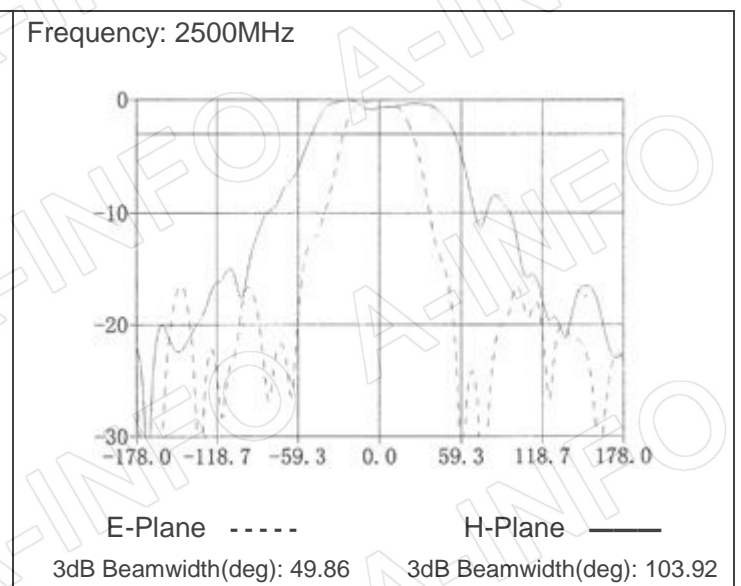
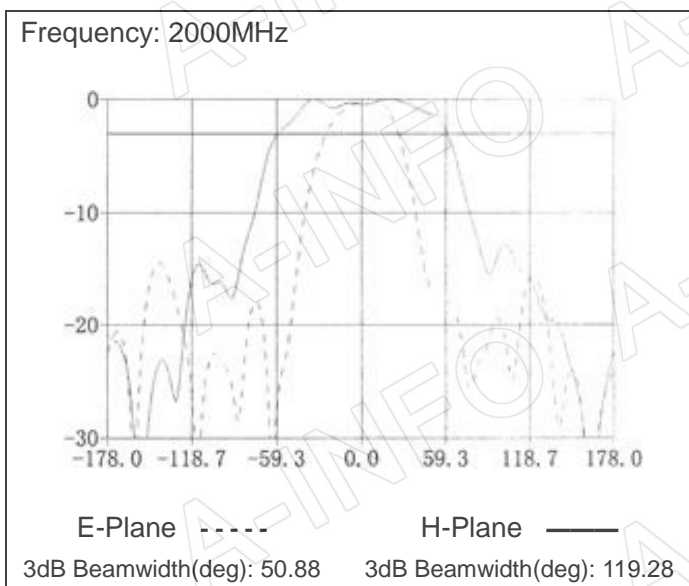
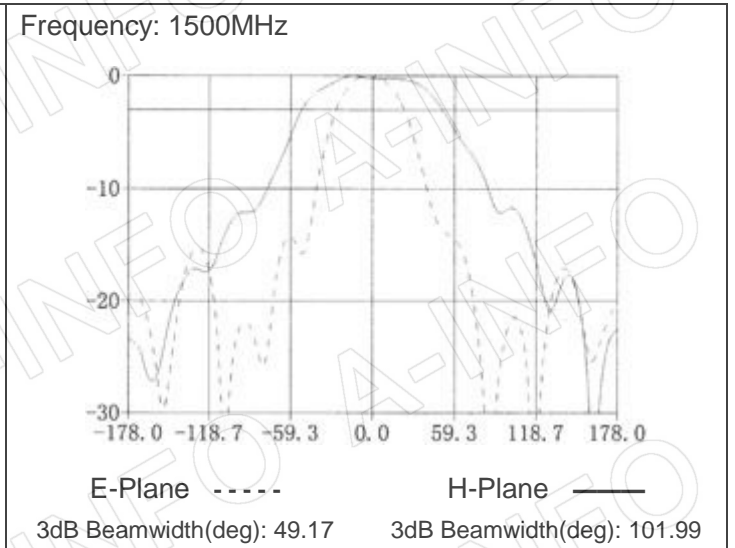
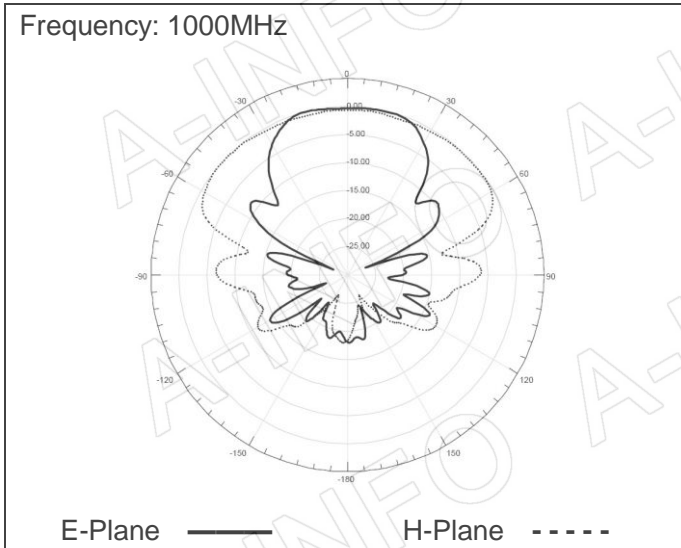
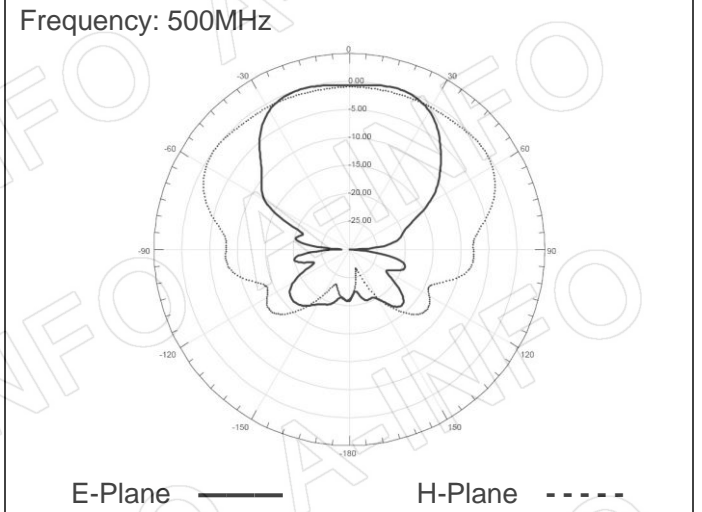
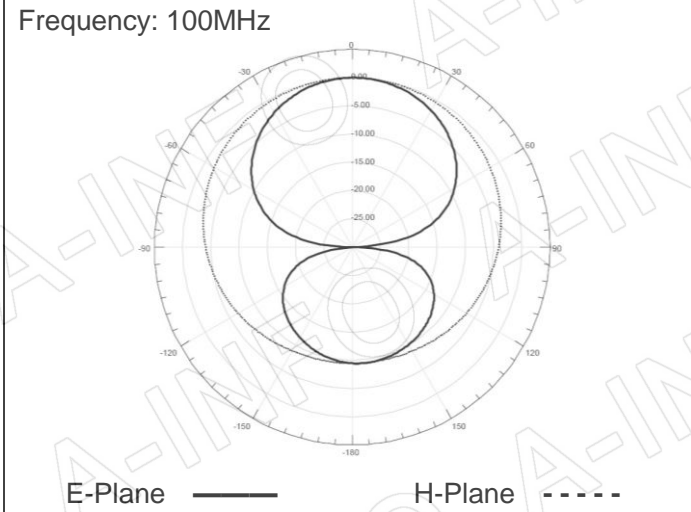


3. VSWR(10.0 Typ. 40-50MHz, 2.0 Typ. 50-100MHz, 1.5 Typ. / 2.0 Max. 100-3000MHz)

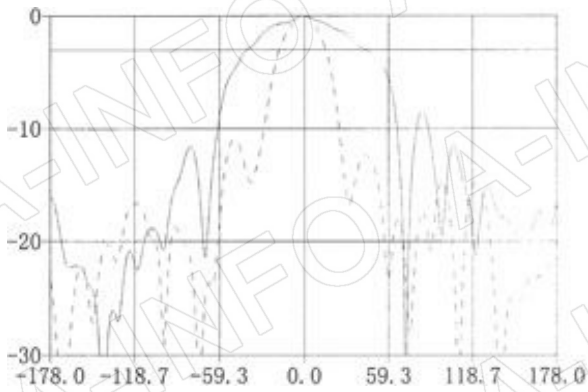


4. Pattern





Frequency: 3000MHz



E-Plane - - - - -

H-Plane ———

3dB Beamwidth(deg): 32.52

3dB Beamwidth(deg): 83.80